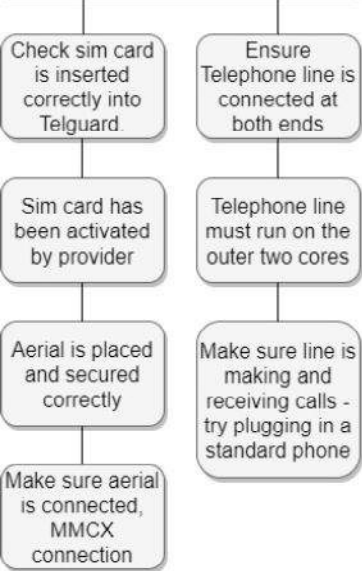


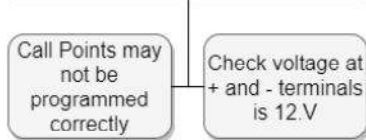


### FAQ's - fault finding

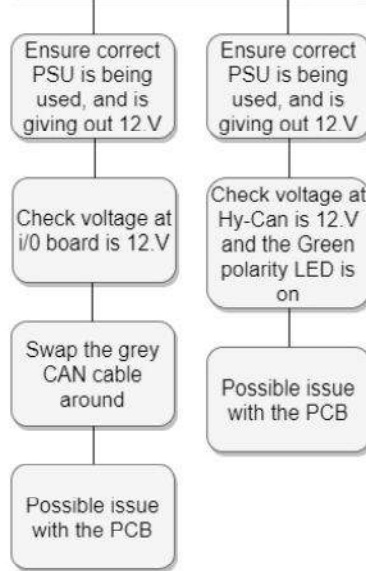
#### "No telephone network available to make your call"



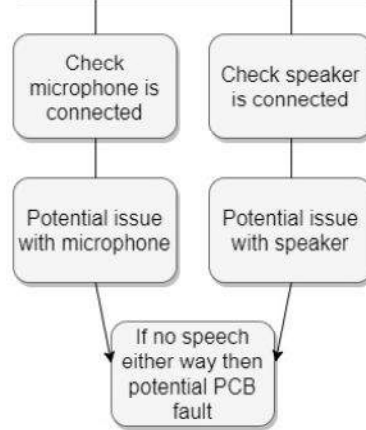
#### "It has not been possible to connect your call"



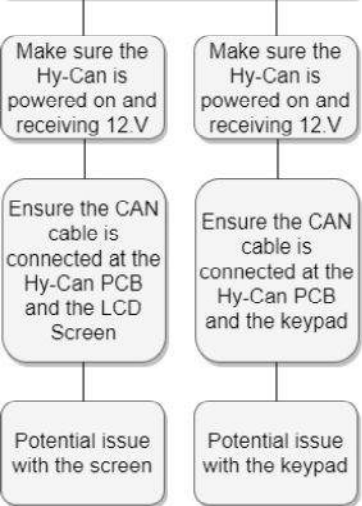
#### No power to Telguard Hy-Can PCB & ML PCB



#### No Speech



#### Screen/keypad not working



#### Satellite panels not working

