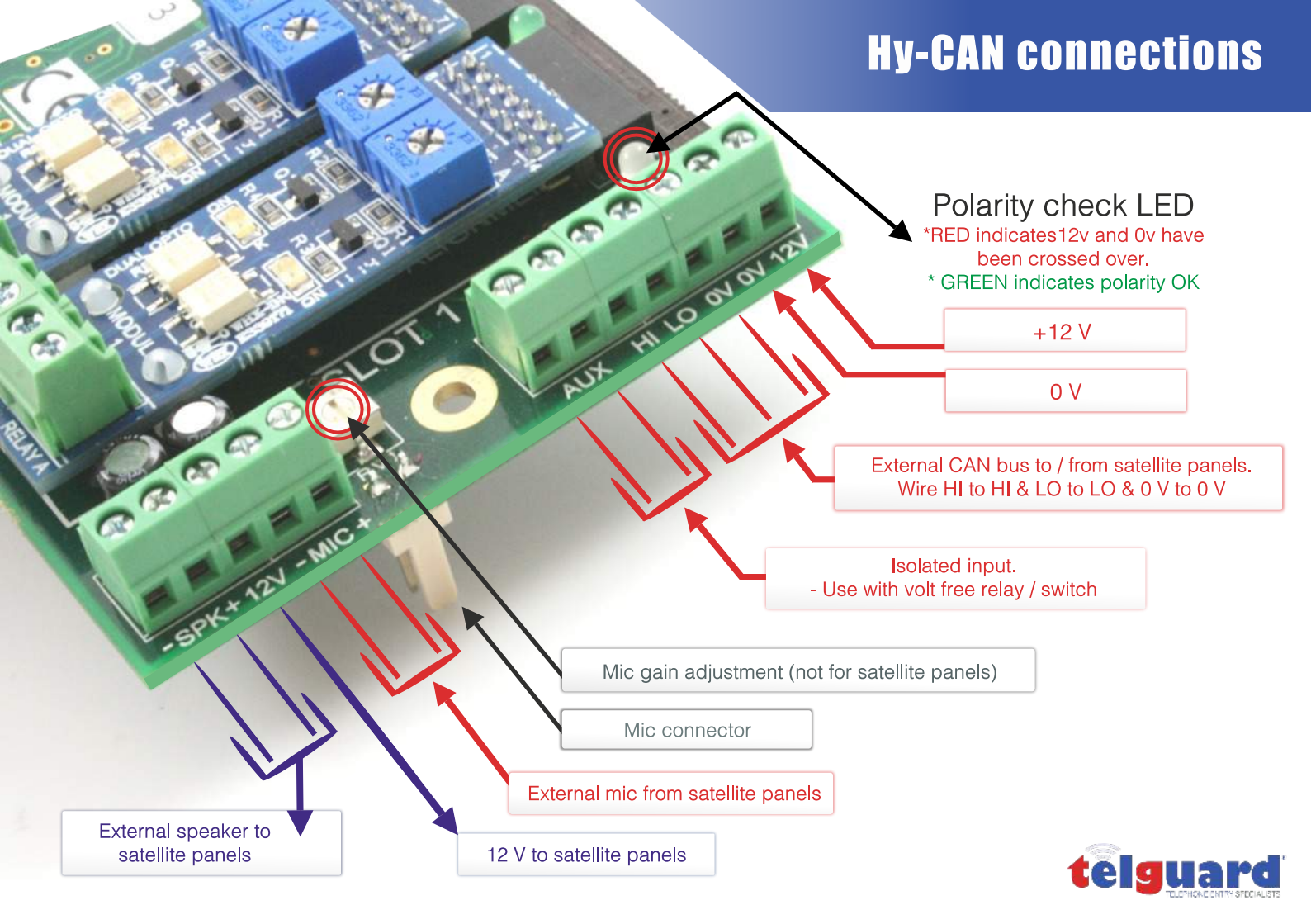


Hy-CAN connections



Polarity check LED
*RED indicates 12v and 0v have been crossed over.
* GREEN indicates polarity OK

+12 V
0 V

External CAN bus to / from satellite panels.
Wire HI to HI & LO to LO & 0 V to 0 V

Isolated input.
- Use with volt free relay / switch

Mic gain adjustment (not for satellite panels)

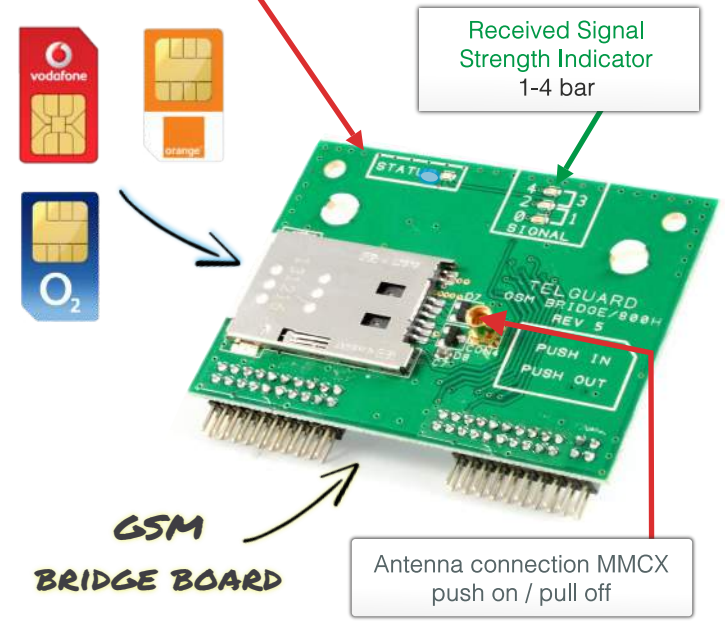
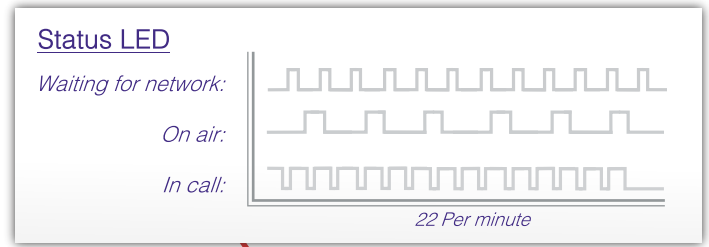
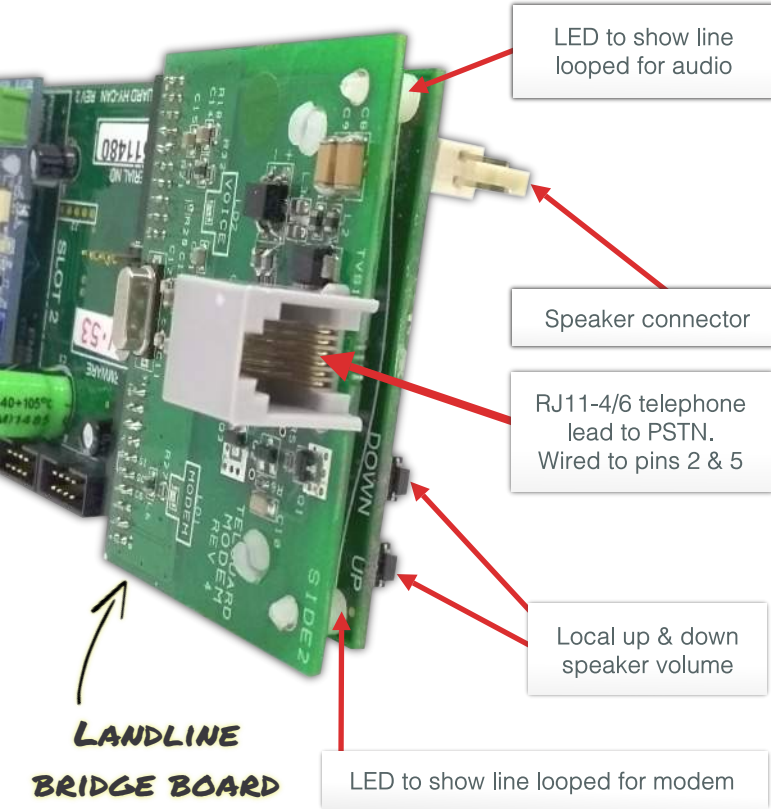
Mic connector

External mic from satellite panels

External speaker to satellite panels

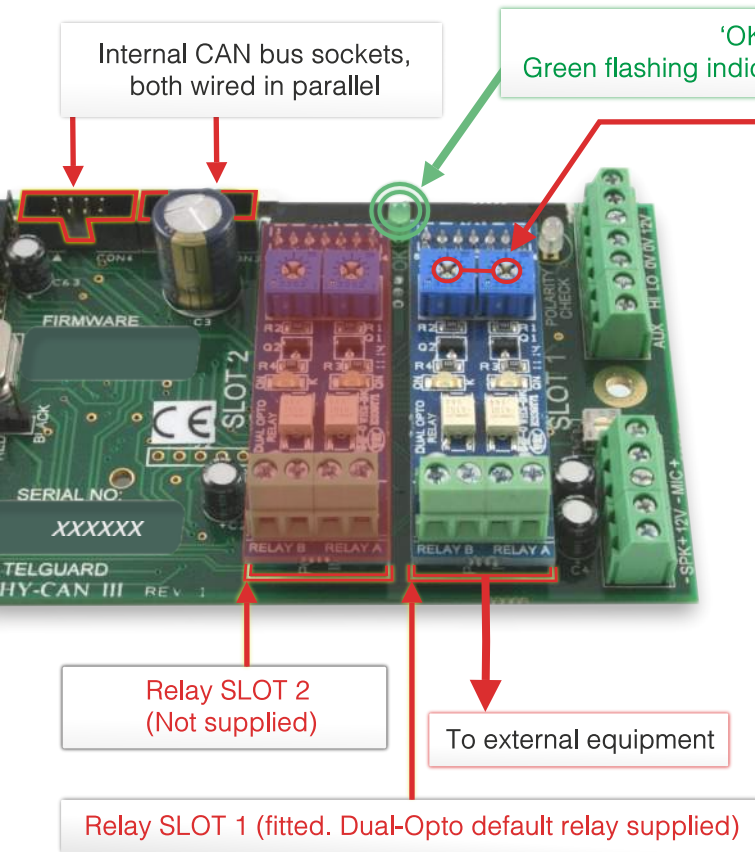
12 V to satellite panels

Bridge Boards



- Do not coil up excess antenna lead in back box.
- Do not cut / join the antenna lead if too long. Acquire shorter one.
- Allow 30 seconds to get "on air" once power is on.

Relay Connections



DUAL OPTO
(Default relay supplied) ✓

Status LED
Illuminated red LED indicates relay is energized.

LOCK

OV

+12V

To lock, gate or solenoid.

DUAL POWER

- Dual opto (Semiconductor relay)**
 - Switching current max 400 mA, no minimum.
 - Max switching voltage 60V AC or DC.
- Lock (Semiconductor switching device)**
 - For 12 V DC mag or solenoid lock, or relays switching 1 Amp.
 - Feed from separate 12 V DC PSU link for mag/solenoid.
 - Short circuit protected, can drive sol / mag / relay directly.
- Dual power (Mechanical Relay)**
 - Switching voltage max 60V AC or DC.
 - Switching current max 3 Amp min 50mA.

When changing relay modules - power off before removing or fitting. Ensure correct alignment.